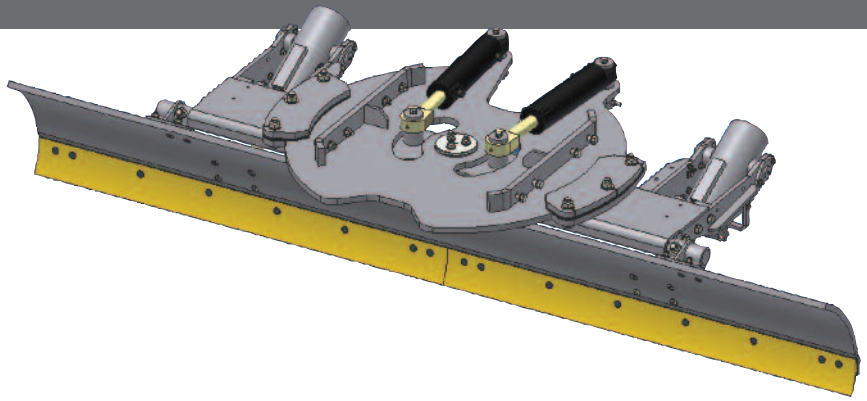


MS4500 Scraper

- Maximize Vehicle Efficiency with Year Round Maintenance Equipment
- Capable of Plowing Snow at Various Speeds and Withstand Snow Pack and Ice
- Spring/Summer/Fall Gravel Shoulder and Road Maintenance



Standard Features:

- 1" Thick Moldboard with Formed Offset for Cutting Edge
- Moldboard - Length: 10', 11' & 12'; Height: 20" or 15"
- 1/2" x 6", AASHO Punch, Double Beveled Cutting Edge
- Reversible 45° Left and Right with Infinite Plow Positions
- (2) 4" x 12" Double Acting Reversing Cylinders with 2" Rods
- Socatri 1000 Cylinder Rods are Extremely Corrosion Resistant
- 5" Center Pin Is Piloted into Hangerboard to Increase Effective Surface Area to Relieve Side Shear on the Pivot Bushing
- Contour Shaped Hold Down Blocks Match the Radius of the Circle for Increased Strength
- Bolt On Trunion Pins at Canister Pivot Points for Ease of Maintenance and Simpler Replacement

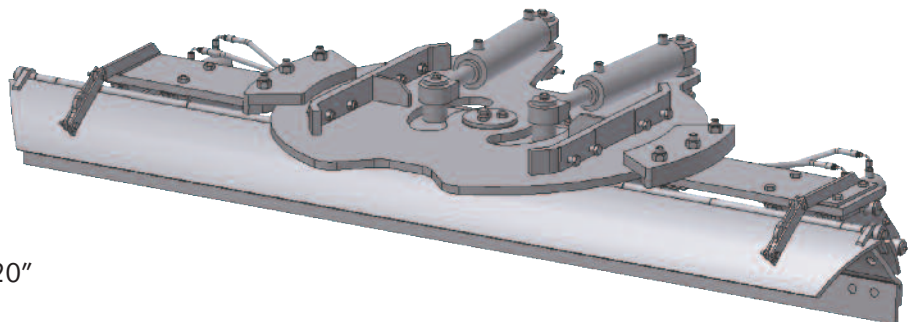
Options:

- Cutting Edges
- Curb Guards
- Side Mounting Plates
- Grease Line Kits
- Oscillating Side Plates
- Heavy Duty Springs
- Rolled Moldboard
- Special Paint

FMB 3500 Scraper

Standard Features:

- Moldboard - Length: 10', 11' & 12'; Height: 20"
- Two Piece Moldboard
 - Upper Deflector is 1/2" x 10"
 - Lower Deflector is 3/4" x 9"
- 1" x 10" Hangerboard
- 1/2" x 6", AASHO Punch, Double Beveled Cutting Edge
- (2) 3" Actuating Cylinders
- 1" Solid Circle
- 5" Center Pin
- Two 4" Power Reverse Cylinder
- (4) Heavy Duty Long Travel Spring Assemblies for Absorbing Road Shock
- Moldboard Angles up to 45°



Options:

- 1" x 8" Heavy Duty Hanger Bracket
- Carbide Cutting Edge
- Special Paint
- Wrap Around Curb Guards