

Patrol Wings (Single & Double Function)



Model #	Weight	Moldboard Length
8SFWMB	1400	8'
8DFWMB	1425	8'
9SFWMB	1450	9'
9DFWMB	1475	9'
10SFWMB	1500	10'
10DFWMB	1525	10'
11SFWMB	1545	11'
11DFWMB	1675	11'
12SFWMB	1600	12'

Standard Features:

- Single Function Wing is Operated with Single Lever Control for Ease of Operation; Double Function is Operated by Two Hydraulic Function Controls to Independently Control the Heel and Toe End of the Wing Moldboard
- 100% Welded Moldboard
- 1-Piece ½" Moldboard Reinforcement Ribs
- Free Float to Follow Contour of Road to Shoulder
- Rear Push Mount Installed Above Frame for Increased Ground to Rear Mount Clearance
- 100% Powder Coat Finish

Options:

- Two-Piece Torsion Trip Edge
- Left Side or Dual Mount
- Moldboard Wear Shoe to Extend Cutting Edge Wear
- Power and Manual Tilt Front Hitches
- Power or Manual Slide Front Post
- Full Trip Moldboard
- Carbide Cutting Edge for Longer Cutting Edge Life
- Special Paint
- Custom Cheek Plate Hitches
- Dual Pusharms
- Power Heel Slide for On-the-Go Swath Widening from the Cab
- Curb Guard to Prevent Moldboard Heel End Damage
- Power Slide Pusharm
- Decell Cylinder to Slow the Heel Lift Cylinder Function when Activating it to Stow the Wing, Thus Helping to Prevent Damage to the Chassis or Body
- Marker Kit



NEW! Interlaced Rib Design



NEW! Adjustable Float Link Design





Para-Glide WING POST

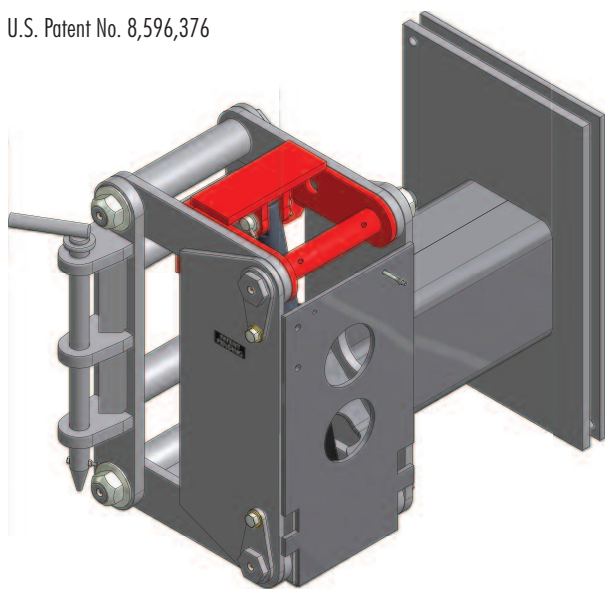
U.S. Patent No. 8,596,376

Standard Features:

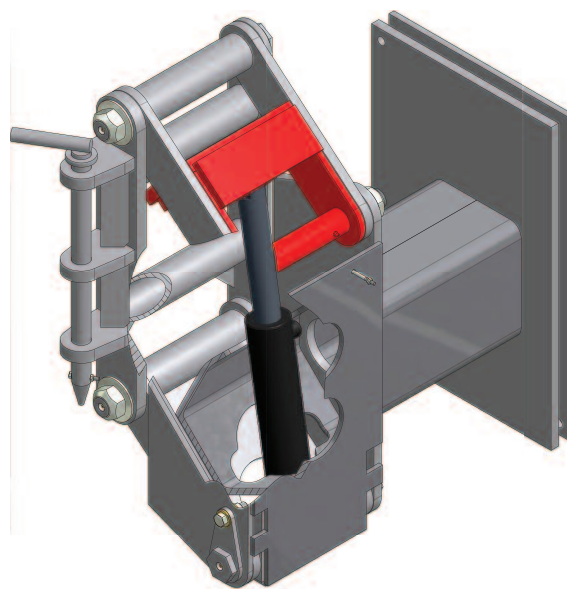
- Full Floatation Reduces Road Shock and Vibration to the Vehicle
- Longer Service Life and Fewer Repairs with Increased Safety
- Faster Cycle Times
- Trailing Link Design Reduces the Risk of the Moldboard Toe End Digging into the Ground and Kicking Up into the Truck Cab
- 14" Full Float with 18" of Lift
- Front, Mid or Rear Mounts Available
- Primary Pivot Pins are Center Line Drilled from Each End and Have a Cross Hole for Greasing.
- Optional Patrol Wing Post



U.S. Patent No. 8,596,376



**Para-Glide® Wing Post
in Resting Position.**



**Para-Glide® Wing Post
in Full Float Position.**