

Flex Plow



Moldboard Thickness:	3/8" Polymer, Seamless
Moldboard Top Angle:	2" x 2" x 1/4"
Moldboard Bottom Angle:	4" x 3" x 1/2"
Pivoting Rib Assemblies:	3/8" Thick x 3 1/2" Wide Steel Plate
Rib Pivot Cylinders:	3" x 5" DA with 1 1/2" Nitride Rods
Reversing Cylinders:	3" x 16" SA with 3" Nitride Rods
Reversing Limits (left & right):	35°
Plow to Table Hinge Points:	4
Cutting Edge:	3/4" x 6" C1090 Steel
Lift System:	2-Point Level Lift Chain



Q) I need a power angling plow to work as both a straight blade patrol plow and also occasionally to cast snow either right or left as a tapered blade plow. Problem is, I can't afford three plows; what options does Monroe offer?

A) Check out the Monroe Flex Plow! With the Flex Plow, you can change the moldboard profile on-the-fly from the truck cab to change your snow casting pattern as your plowing needs change. The Flex Plow can be operated straight across in most applications, full right taper for casting towards the passenger side or full left when casting snow from the left lane. You can even curl it down severely from both sides so fluffy snow doesn't spray back towards the operator. In addition, the all-polyurethane moldboard scours easily so the snow doesn't stick to it, plus the plow angles 35 degrees right or left for cleaning up intersections and clearing obstacles.

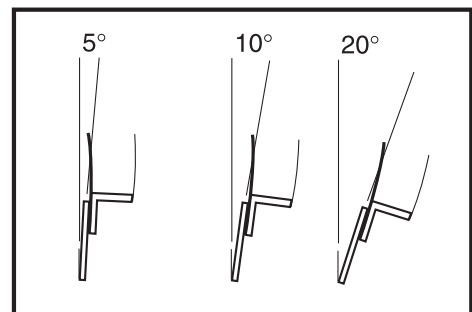
One Way Full Trip

Dual Compression Trip Spring Assemblies for Full Moldboard Trip



Plow Model No.	Overall Length	Height w/ 3/8"x8" C.E. High End	Height w/ 3/8"x8" C.E. Low End	Approx. Weight (lbs)
MPFA30-47-10	130"	46 1/2"	30"	1280
MPFA39-52-10	130"	51 1/2"	39"	1450
MPFA30-47-11	142"	47"	30"	1350
MPFA39-52-11	142"	52"	39"	1540
MPFA30-60-11	158"	60"	30"	1680
MPFA39-52-12	154"	52"	39"	1640
MPFA30-60-12	170"	60"	30"	1900
MPR30-47-10	130"	46 1/2"	30"	1580
MPR39-52-10	130"	51 1/2"	39"	1750
MPR30-47-11	142"	47"	30"	1650
MPR39-52-11	142"	52"	39"	1940
MPR30-60-11	158"	60"	30"	1980
MPR39-52-12	154"	52"	39"	2040
MPR30-60-12	170"	60"	30"	2200

Moldboard Thickness:	10 Gauge
No. of 1/2" Vertical Ribs:	5
Moldboard Reinforcing:	1 piece, 1/2" Flame Cut Ribs
Moldboard Top Angle:	2" x 3" x 3/8"
Adjustable Moldboard Pitch Settings:	5°, 10° & 20°
Semi-Circle:	3 1/2" x 3 1/2" x 1/2" A36 Hot Rolled Angle
Bottom Moldboard Angle:	3/4" x 4" x 4"
Reversing Limits (left & right):	35°
Plow to Table Hinge Points:	4
Cutting Edge:	3/8" x 8" Top Punched
Pivot Pin:	1 1/4" Stopped
Lift System:	2 Chain Lift



Force Required to Trip Moldboard

LIGHT TRIP

MEDIUM TRIP

HARD TRIP

Q) I plow a lot of rural highways. Is the one way full trip plow my best choice?

A) Used in both rural and metropolitan areas, the long, tapered moldboard allows the plow to lift and curl the snow which saves fuel and helps discharge the snow easier. This is a one-way plow, which means it's either tapered to discharge to the right or left. Can also be set up with a reversing table to permit cleanup at intersections. Because of the attack angle this will clean better and will not throw snow great distances. Most are manufactured to discharge to the right, but left discharge is an option.

