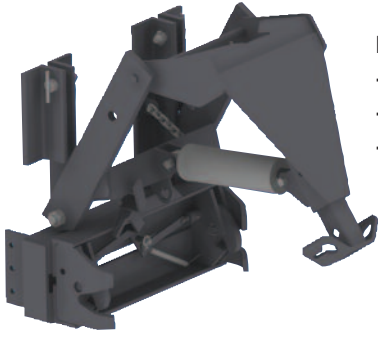
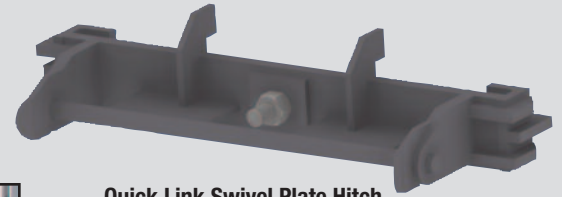


Quick Link Hitches

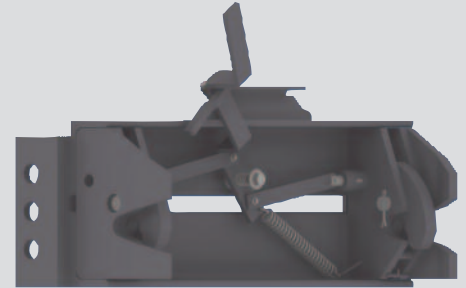
Plow Portion Hitches



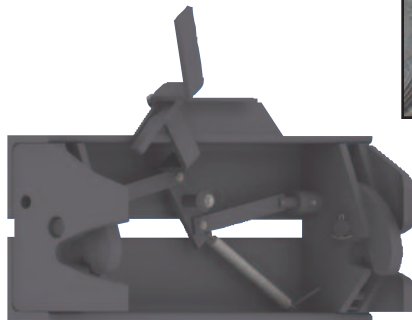
- PF91-QL1/FFLA/Tilt
- Low Profile
 - Tilt
 - Telescopic w/Fold Flat Lift Arm



Quick Link Swivel Plate Hitch



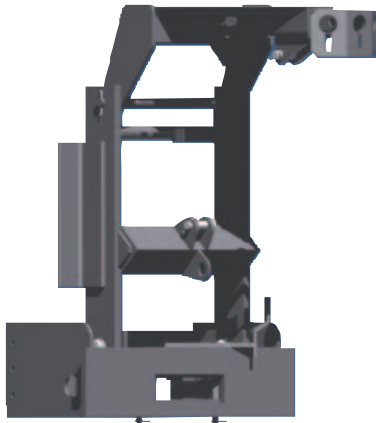
00059247 Field Conversion Kit



- PF91-QL1/FFLA 00052633
- Low Profile
 - Non-Tilt
 - Telescopic w/Fold Flat Lift Arm

Tor-Lock/Arrowhead Hitches

Plow Portion Hitches

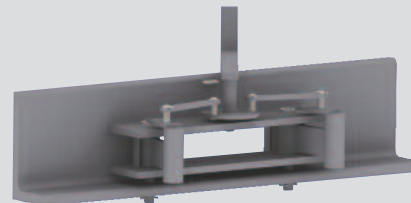


- Tor-Lock or Arrowhead
- Low Profile
 - Non-Tilt
 - Telescopic w/Fold Flat Lift Arm
 - Integral Arrowhead Receiver



NOTE: Available in Weld On Plow Portion without Swivel Plate

Oscillating Plow Portion Tor-Lock/Arrowhead Hitch



MC9001 Field Conversion Kit