

RESERVOIRS & Accessories



1-Ton 15 Gallon Stand Alone

Part Number	Description
00019711-A	Oil Tank Assembly, Mild Steel
00019711-B	Oil Tank Assembly, Stainless Steel

Features:

- Reservoir is Constructed of 10 Gauge Steel
- Exterior: Powder Coated Black or Optional Stainless Steel
- ¼" Formed Brackets for Vehicle Frame Mounting
- Baffled

Assembly Includes:

- Oil Tank Weldment
- Filler Breather Cap
- Magnetic Plug
- Filter Head & 10 Micron Spin-On Filter
- Filter Condition Gauge, 0-60 PSI
- Sight Level with Temperature Gauge
- Check Valve



1-Ton 13 Gallon Tank Combo

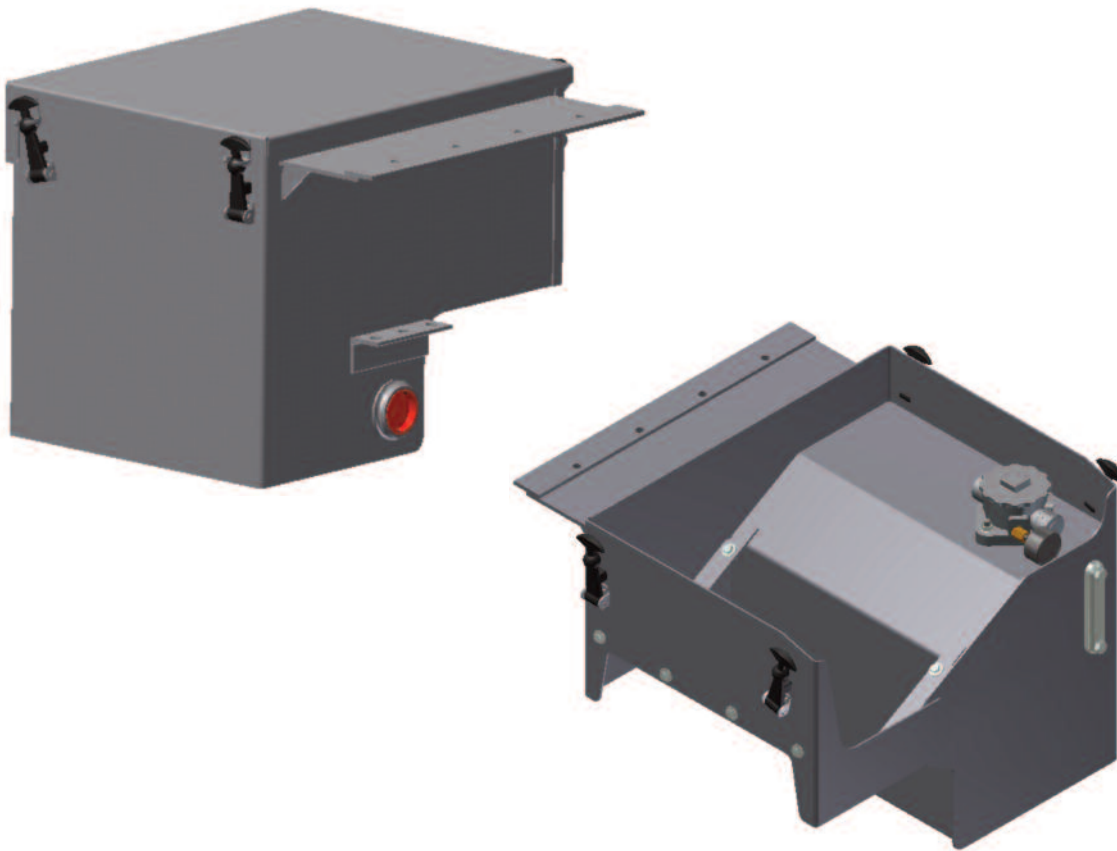
Part Number	Description
0140350-A	Tank/Enclosure Assembly, Mild Steel
0140350-B	Tank/Enclosure Assembly, Stainless Steel

Features:

- Reservoir is Constructed of 10 Gauge Steel
- Exterior: Powder Coated Black or Optional Stainless Steel
- ¼" Mounting Strap for Vehicle Frame Mounting
- Bolt-In Mounting Plate

Assembly Includes:

- Oil Tank Weldment
- Lid Weldment
- Sight Level with Temperature Gauge
- In-Tank Filter with Breather
- Filter Condition Gauge, 0-60 PSI
- Magnetic Plug



RESERVOIRS

Medium Duty 30 Gallon

Part Number	Description
00019720-A	Oil Tank Assembly, Mild Steel
00019720-B	Oil Tank Assembly, Stainless Steel

Features:

- Reservoir is Constructed of 10 Gauge Steel
- Exterior: Powder Coated Black or Optional Stainless Steel
- ¼" Formed Brackets for Vehicle Frame Mounting
- Baffled

Assembly Includes:

- Oil Tank Weldment
- Filler Breather Cap
- Magnetic Plug
- In-Tank Filter
- Filter Condition Gauge, 0-60 PSI
- Sight Level with Temperature Gauge



Medium Duty 30 Gallon Slim Line

Part Number	Description
00019768-A	Oil Tank Assembly, Mild Steel
00019768-B	Oil Tank Assembly, Stainless Steel

Features:

- Reservoir is Constructed of 10 Gauge Steel
- Exterior: Powder Coated Black or Optional Stainless Steel
- ¼" Formed Brackets for Vehicle Frame Mounting
- Baffled

Assembly Includes:

- Oil Tank Weldment
- Filler Breather Cap
- Sight Level with Temperature Gauge
- In-Tank Filter
- Filter Condition Gauge, 0-60 PSI
- Magnetic Plug



RESERVOIRS

Medium Duty 30 Gallon Lo Pro

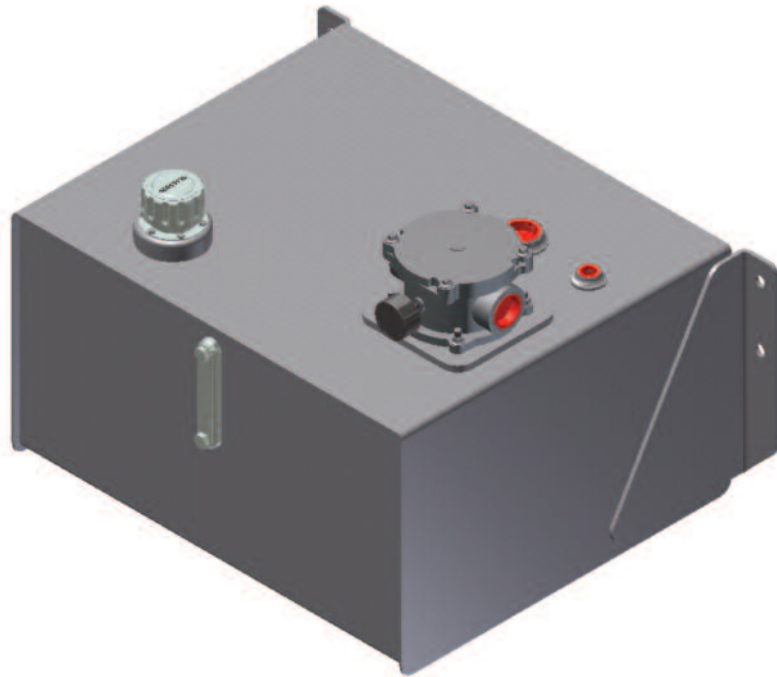
Part Number	Description
00140386-A	Oil Tank Assembly, Mild Steel
00140386-B	Oil Tank Assembly, Stainless Steel

Features:

- Reservoir is Constructed of 10 Gauge Steel
- Exterior: Powder Coated Black or Optional Stainless Steel
- ¼" Formed Brackets for Vehicle Frame Mounting
- Baffled

Assembly Includes:

- Oil Tank Weldment
- Filler Breather Cap
- Magnetic Plug
- In-Tank Filter
- Sight Level with Temperature Gauge



35 Gallon Tank Combo

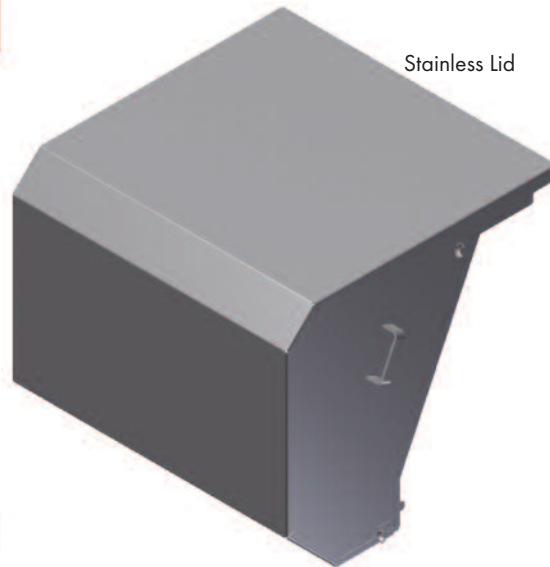
Part Number	Description
00143136-A	Tank/Encl Assembly, Mild Steel, Poly Lid
00143136-B	Tank/Encl Assembly, Stainless, Poly Lid
00143136-C	Tank/Encl Assembly, Stainless, Stainless Lid

Features:

- Reservoir is Constructed of 10 Gauge Steel
- Exterior: Powder Coated Black or Optional Stainless Steel

Assembly Includes:

- Oil Tank Weldment & Lid
- Filler Breather Cap
- Sight Level with Temperature Gauge
- In-Tank Filter
- Filter Condition Gauge, 0-60 PSI
- Magnetic Plug



RESERVOIRS

Medium Duty 35 Gallon Universal Tank Combo

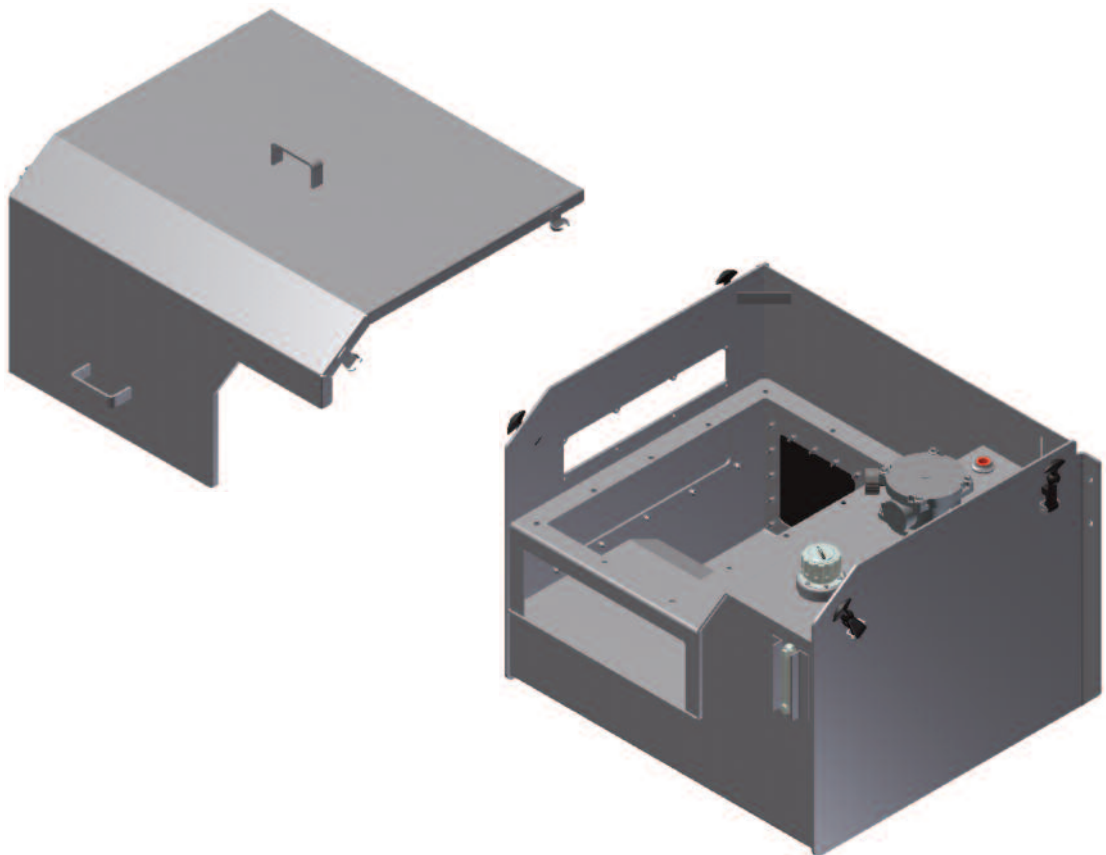
Part Number	Description
00105900-A	Tank/Enclosure Assembly, Mild Steel
00105900-B	Tank/Enclosure Assembly, Stainless Steel

Features:

- Reservoir is Constructed of 10 Gauge Steel
- Exterior: Powder Coated Black or Optional Stainless Steel
- ¼" Formed Brackets for Vehicle Frame Mounting
- Baffled

Assembly Includes:

- Oil Tank Weldment
- Lid Weldment
- Filler Breather Cap
- Sight Level with Temperature Gauge
- In-Tank Filter
- Filter Condition Gauge, 0-60 PSI
- Magnetic Plug





FILLER BREATHER

Part Number: 57XL-40

- 40 Micron Foam Filter Element
- Cap to Base Chain Connection
- Zinc Plated Cover
- Wire Mesh Lined Basket



SIGHT LEVEL GAUGE

Part Number: AB3748

- Temperature: 212 °F Maximum
- Thermometer
- UV Resistant Housing
- M12X1.75 Mounting Bolts
- 5" Mounting Centers



MAGNETIC DRAIN PLUG

Part Number: MP75



SUCTION STRAINERS

Part Number: TFS-2020-0-5

- 2" NPT Male x 2" NPT Male
- 100 Mesh
- 5 PSI Bypass



Part Number: TFS-1220-0-5

- 2" NPT Male O.D. x 1.25" NPT Female
- 100 Mesh
- 5 PSI Bypass



RESERVOIR MOUNTED RETURN FILTER HOUSING

Part Number: AB9644

- Flows Up To: TS 71 GPM (Return);
24 GPM (Suction)
- Port Size: 1.25" NPT
- 100 PSI Max Operating Pressure
- Petroleum Based Fluids Only
- 10 Micron Absolute Filter

SPIN-ON TANK FILTER HEAD



Part Number: SF-150-25-13

- 70 GPM (Return); 25 GPM (Suction)
- Port Size: 1.5" NPT
- 200 PSI Maximum Operating Pressure
- Petroleum Based Fluids Only



Part Number: SF-120-25-1-3

- 70 GPM (Return); 25 GPM (Suction_)
- Port Size: 1.25"
- 200 PSI Maximum Operating Pressure
- Petroleum Based Fluids Only



SPIN-ON FILTER ELEMENTS

Part Number: SE-10

- 5.1" Diameter
- 1.5"-16 Mounting Thread
- 10 Micron



RETURN FILTER CONDITION INDICATOR

Part Number: MTE100-1

- Resistant Against Vibration, Condensation,
Corrosion & Damage from Pressure Fluctuation

NOTES



Monroe Truck Equipment, Inc.
1051 W. 7th Street • Monroe, WI 53566
Phone: 800-880-0109
Fax: 608-328-8390
www.monroetruck.com

