

Shoes

*Not all options are compatible with all models of plows.
Please contact MTE for more details.*



PN: 00052867 Skid Shoe w/ Jack Kit Pair
PN: 00051200 Jack Assembly
PN: 00098355 Skid Shoe Assembly



PN: 00061207 Carbide Skid Shoe w/ Jack Kit (Pair)
PN: 00051200 Jack Assembly
PN: 05050005 Carbide Skid Shoe



PN: 00012692 Mushroom Shoe w/ Jack Kit (Pair)
PN: 00051035 Jack Assembly
PN: 05051009 Mushroom Shoe



PN: 00029615 Mushroom Shoe w/ Jack Kit (Pair)
PN: 00041967 Jack Assembly
PN: 05051009 Mushroom Shoe Assembly



PN: 00061209 Oscillating Mushroom Shoe w/ Jack Kit (Pair)
PN: 00054906 Jack Assembly
PN: 05052870 Mushroom Shoe Assembly



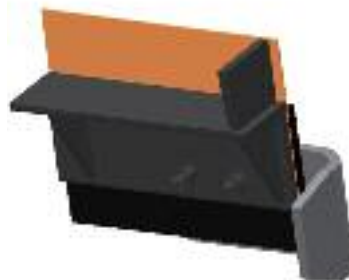
PN: 00057967 Caster Wheel w/ Jack Kit (Pair)
PN: 00051200 Jack Assembly
PN: 00011653 Wheel Assembly



Removable Parking Jack Kit
PN: 00061212



Half Moon Curb Guard Kit
PN: 00061213



Wrap Around Curb Guard
PN: 00039621



Moldboard Shoe Kit
PN: 00061797



PN: 00106637 Pneumatic Wheels w/ Jack Kit
Foam Filled Option PN: 00106638
PN: 00106639 Jack Assembly
PN: 00011654 Pneumatic Wheel Assembly

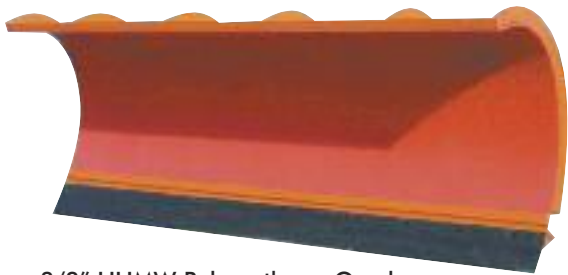


PN: 00017257 Snow Wheel Kit
PN: 05050762 Adjustable Swivel Snow Wheel

*Not all options are compatible with all models of plows.
Please contact MTE for more details.*

Moldboard Options

Polymer Over Steel



- 3/8" UHMW Polyurethane Overlay

Mailbox Trim with Rubber Snow Deflector



- Provides Optimal Mailbox Obstacle Clearance

Mouse Ear



- Improves Snow Casting Ability - Available on Right Side, Left Side or Dual Ears



Air Foil



- Prevents Most of the Light Snow from Blowing Over the Top of the Moldboard onto the Driver's Windshield

Flexible Plastic Markers



- 42" Flexible Cable Markers

Pushframes

*Not all options are compatible with all models of plows.
Please contact MTE for more details.*



Standard Level Lift Pushframe Kit
PN: 00092344



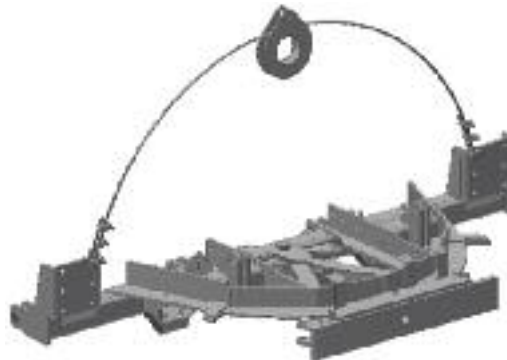
2-Chain Lift Pushframe Kit
PN: 00055940



Single Chain Lift Pushframe Kit
PN: 00130012



**Continuous Chain with Sliding Block
Level Lift Pushframe Kit**
PN: 00055941



Cable Level Lift Pushframe Kit
PN: 00055942



Y-Chain Lift Pushframe Kit
PN: 00099320



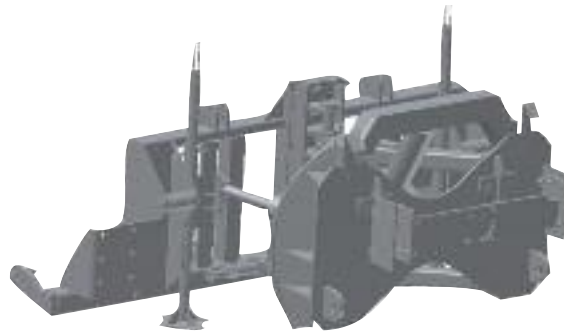
Heavy Duty 5" Tubular Pushframe Kit
PN: 00145827



Pushframe Kit, Rvs, TT, 10'-12'
PN: 00126033



Husting Lift
PN: 00069488

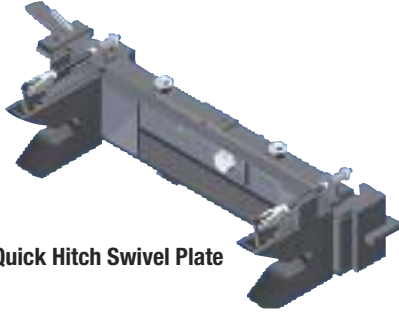


Parallel Lift Frame
PN: 00088502

*Not all options are compatible with all models of plows.
Please contact MTE for more details.*

Plow Portion Hitches

Quick Type Hitch

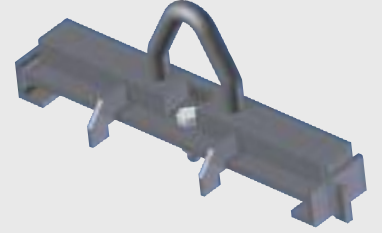


MC6000 Quick Hitch Swivel Plate

Loop Type Hitch



QCP Loop Weld On Style

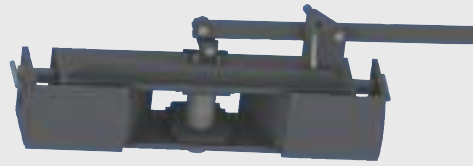


QCP Loop Weld On Style Swivel Plate

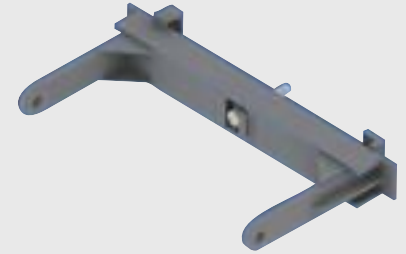
Pin Type Hitch



Pin Style Swivel Hitch Also Available in 21", 30.5" and 33.5" Center



MC801 Field Conversion Kit to Convert Pin Style to Loop Style Hitch



Pin Hitch for 26B Style Hitch

Husting Hitch



Husting Hitch Plow Portion

Quick Link Hitch



Quick Link Swivel Plate Hitch

Tor-Lock/Arrowhead Hitch

Weld On Plow Portion without Swivel Plate



MC6000 Quick Hitch Swivel Plate